

pöllö 
Prime Series



2MP AI 50X PTZ

PLC-9250-AI-IR50/PM

www.pollo.net.au

info@pollo.net.au



Smart Tracking



Starlight



True WDR



VCA



3D DNR



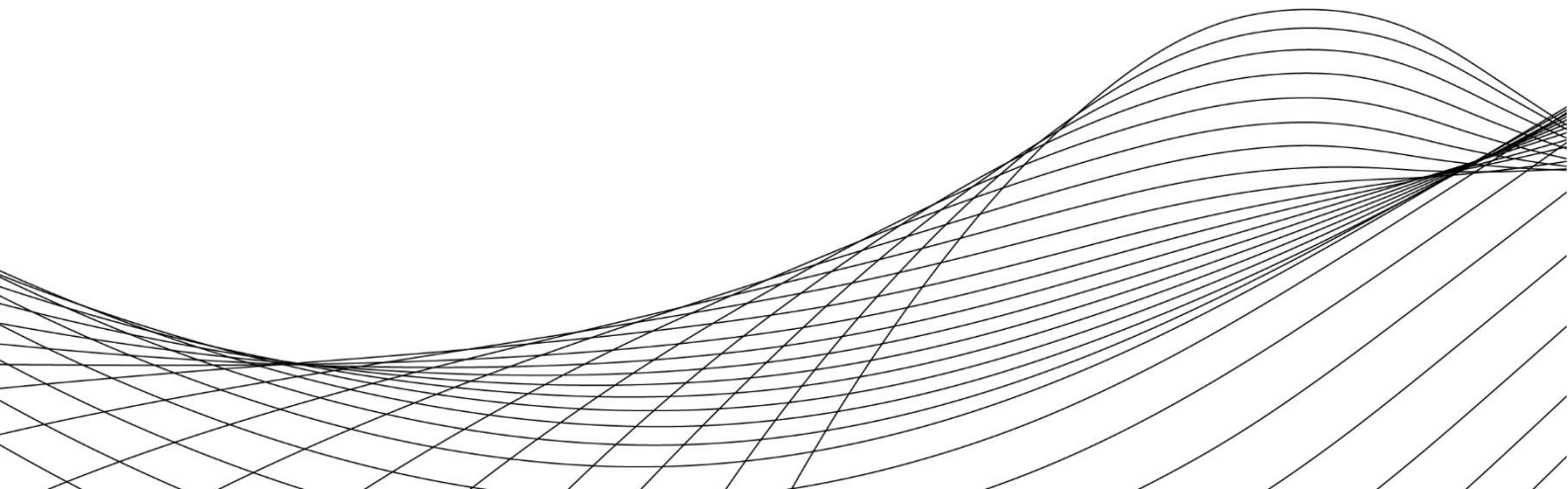
PoE++



IP67



H.265

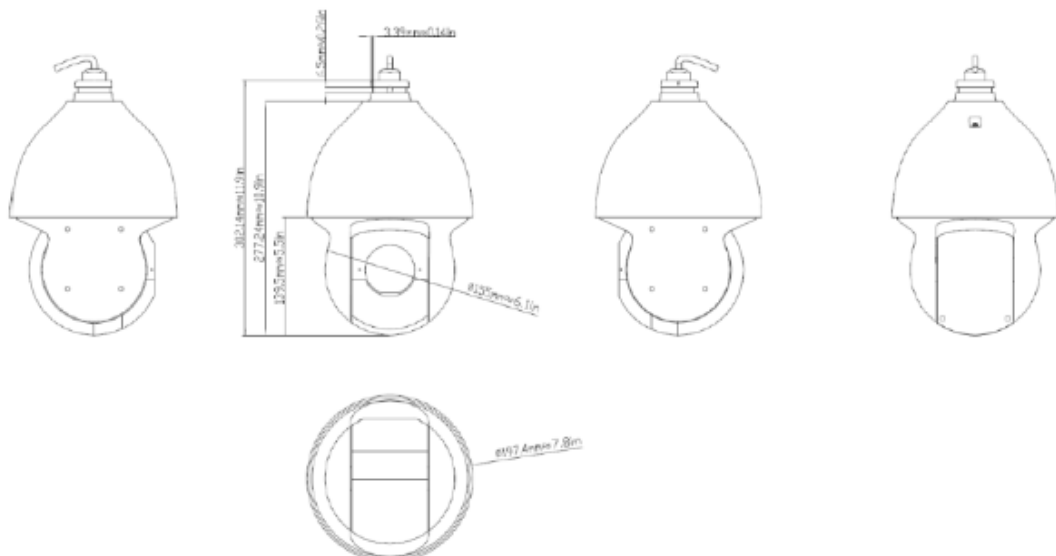


Key Features:

- ✔ 1/2.8" progressive scan CMOS image sensor
- ✔ Up to 1920x1080 resolution
- ✔ Mini illumination:
 - Colour: 0.005 lux @ (F1.2 AGC ON)
 - B/W: 0.001 lux@ (F1.2 AGC ON)
 - 0 Lux with IR
- ✔ 50x optical zoom, 16x digital zoom
- ✔ 120 dB WDR, 3D DNR, Smart IR
- ✔ Up to 500m IR distance
- ✔ Smart H.265/H.264 video compression
- ✔ 1.5 Tops Deep-learning Engine
- ✔ Smart tracking of human/vehicle
- ✔ Smart detection and perimeter protection
- ✔ IP67, -40°C~65°C, ADC12 + PC/GF
- ✔ PoE+ (802.3.at, class 3) and DC12V
- ✔ ONVIF, API and SDK



Dimensions:



Specifications:

| | |
|--------------------------------|--|
| Model | PLC-9250-AI-IR50/PM |
| Image sensor | 1/2.8" progressive scan CMOS image sensor, BSI and NIR++, dual gain |
| Max resolution | 1920×1080 |
| Mini. Illumination | Colour: 0.001 Lux@(F1.2, AGC ON) ; B/W: 0.0002Lux@(F1.2, AGC ON); 0 Lux with IR |
| Image setting | Flip, Mirror, Saturation, Brightness, Contrast, Sharpness, AGC, etc. adjusted by client |
| Shutter Speed | 60Hz: 1/30s – 1/30,000s@30fps; 50Hz: 1/25s~1/25,000s@25fps |
| White Balance | Auto/Manual/Indoor/Outdoor |
| Gain control | Auto/Manual |
| Day & Night control | Auto/Manual, time schedule |
| Iris control | Auto/Manual |
| SNR | ≥52dB |
| 3D DNR | Auto/Manual |
| AE Enhancement | BLC, HLC, 120dB WDR |
| Digital Zoom | 8X |
| Privacy Mask | 4 mask areas (Ver 5.1.3 update:24 programmable polygon privacy masks, colour or mosaic configurable) |
| Picture overlay | Logo picture could be overlaid on video with 128×128pixels, 24bits format |
| OSD overlay | Max 15 characters/line, 8 lines, white or red font colour |
| Focus length | f=4.5-225mm, 50x optical zoom |
| Zoom Speed | Approx. 5.2s |
| Field of View | Horizontal: 59.1° ~1.8°; |
| (W-T, ±5%) | Vertical: 38.4° ~ 1.1°; Diagonal: 6.9° ~ 2.1° |
| Image distance | Wide: 1.0m ~ INF; tele: 1.5m ~ INF |
| Aperture Range | F1.2-F3.5(W-T) |
| Iris Type | DC IRIS |
| IR Cut type | Removable IRCF, absorbing type, reducing image flare/ghost |
| Pan Range | 360°endless |
| Pan speed | Configurable, from 0.1~360°/s; Preset speed: 330°/s |
| Tilt Range | From -25° to 155°, auto flip at 90° |
| Tilt Speed | Configurable, from 0.1°~210°/s, Preset speed: 180°/s |
| Proportional Zoom | Yes |
| Preset | 360 |
| Cruise | 8 cruises, up to 16 presets (ver5.1.3 update:32presets) for each cruise |
| Trace | 4 traces, record time over 3 minutes (ver5.1.3 update: 10minutes) for each trace |
| Power off memory | Support |
| Action mode | Preset/Cruise/Trace/Auto Scan/Random Scan |
| 3D Positioning | Support |
| PTZ status display | Support |
| Schedule Task | Preset/Cruise/Trace/Random Scan/Boundary Scanning/Dome reboot |
| IR Distance | 500m |
| IR type | 5W 855nm stacked thin-film IR Array,8pcs |
| Smart IR | Yes |

| | |
|----------------------------------|--|
| Main stream | 50Hz: 25fps: 1920×1080, 1280×960, 1280×720, 60Hz: 30fps: 1920×1080, 1280×960, 1280×720 |
| Sub stream | 50Hz: 25fps (704 × 576, 640 × 480, 352 × 288); 60Hz: 30fps (704 × 480, 640 × 480, 352 × 240) |
| Third Stream | 50Hz: 25fps (1920 × 1080, 1280 × 960, 1280 × 720, 704 × 576, 640 × 480, 352 × 288) 60Hz: 30fps (1920 × 1080, 1280 × 960, 1280 × 720, 704 × 480, 640 × 480, 352 × 240) |
| Video compression | H.265+/H.265/H.264+/H.264/MJPEG |
| H.264 Standard | H.264/AVC codec BP/MP/HP, Level 5.1 |
| H.265 Standard | H.265/HEVC codec MP, level 5.0 |
| Video Bit Rate | 64 Kbps to 16Mbps |
| Audio compression | G.711 A/U |
| Audio Bit Rate | 64K bps |
| Protocols | HTTP, HTTPS, IPv4/IPv6, 802.1x, QoS, FTP, SMTP, UPnP, SNMP, DNS, DDNS, NTP, RTSP, RTCP, RTP, TCP/IP, UDP, DHCP, PPPoE, P2P, RTMP |
| User / Host | Up to 16 users, 3 levels: Administrator, Advanced User and Normal User |
| Security Measures | User authentication (ID and PW), Host authentication (MAC address); HTTPS encryption, IEEE802.1x port-based network access control; IP address filtering |
| API | ONVIF, support POLLO SDK and third-party management platform |
| Client | PVMS Plus third-party client, free iOS and Android App |
| Web Browser | IE8-11 with plug-in; Edge, Chrome, Firefox with plugin free |
| Basic event | Motion detection, Video tampering alarm, Exception (Network disconnected, IP address conflict, SD full, SD error) |
| Face recognizes | (Default off, open per request) Face detection, capturing, comparison. Max 17 faces per scene |
| Road traffic | Vehicle detecting and tracking. CPL will be available at ver5.1.3 |
| Smart Detection | Tripwire, Bi-directional tripwire, Illegal intrusion detection, Region entrance detection, Region exiting detection, etc. More VCA will be available at ver5.1.3 |
| Smart Tracking | Support smart tracking of human or vehicle, auto/manual |
| Alarm Interface | 1 Alarm input (Dry contact); 1 Alarm output |
| Audio Interface | 1 audio input, line level, 2.0-2.4Vpp, impedance 1KΩ; 1 audio output, line level, impedance, 600Ω |
| Alarm Linkage | Alarm actions, such as Preset, Cruise, Trace, Memory Card Video Record, Trigger Recording, Notify Surveillance Center, Upload to FTP/Memory Card, Send Email, etc. |
| Network Interface | 1 RJ45 10M/100M Adaptive Ethernet; Support PoE+ |
| SD Card Slot | One MicroSD slot and chamber, up to 256G |
| Reset button | Yes |
| Electric Heater & Fan | Yes |
| Water removal | Remove water-drops by quick spinning |
| Demist | Active electric heating and air loop |
| languages | Czech; English, German, Hungarian, Italian, Japanese, Korean, Portuguese, Polish, Russian, Romanian, Spanish; Spanish (Mexico), Simplified Chinese, Turkish, Traditional Chinese, etc. |

| | |
|--------------------------|--|
| Power Adaptor | DC24V±25%1500mA (AC24V is not available for this version, support by request) |
| PoE Supply Spec | 60W PoE++, 802.3.bt |
| Power consumption | avg. 12W, max 27W, including IR 10W |
| Working condition | -40°C ~ 65°C (-40°F ~ 149°F), IR off; -40°C ~ 45°C, IR on; Cold start at - 30°C; 90%RH |
| Storage condition | -40°C ~ 70°C ; ≤ 95% RH |
| Protection | 6000V Lightning Protection, Surge Protection and Voltage Transient Protection |
| Shield Material | Aluminium Alloy (ADC12); Polymer (PC+GF15%) |
| Dimensions | Φ 197mm × 302mm (Φ7.8 inch ×11.9 inch) |
| Net Weight | Approx. 2.9 Kg (6.4 lb.) |
| Certification | IP67, IK10(including glass window), ROHS, CE, FC, KC, BIS, UKCA |