



PLF-10K-VL/P

Visible Light Indoor
Facial & Palm Recognition



Pollo Pty Ltd.

Address: Suite 401, 55 Phillips St. Parramatta, NSW 2150

Phone: 1300 6600 368

Email: info@pollo.net.au

Website: www.pollo.net.au



PLF-10K-VL/P

Visible Light Indoor Facial & Palm Recognition

CMOS Ultra-Wide Dynamic Detection



Features:

- ✔ Support nighttime fill light with photosensitive sensor coordination;
- ✔ Support external identity card/IC card reader;
- ✔ Built in WiFi
- ✔ English as default language, other language customized
- ✔ Support serial port, Wiegand output, output content support configuration;
- ✔ Adopt dynamic face detection and tracking recognition algorithm based on video stream;
- ✔ Recognition speed is fast, it takes about 20ms on face tracking and detection, 300ms on face feature extraction and 1s on face comparison;
- ✔ Support face recognition scene photo saving;
- ✔ Support interface docking and support customization;
- ✔ Support LAN device deployment;
- ✔ Support screen display content configuration.
- ✔ Support for identifying distance configurations.

Technical Specification:

Hardware	CPU	Dual-Core 1.2GHZ
	Operating system	LINUX
	LCD display	5" TFT IPS touch color screen (720*1280)
	Camera	Binocular camera (Dual) 1 Megapixel
	RAM	256MB
	ROM	8G

Specification of Model:

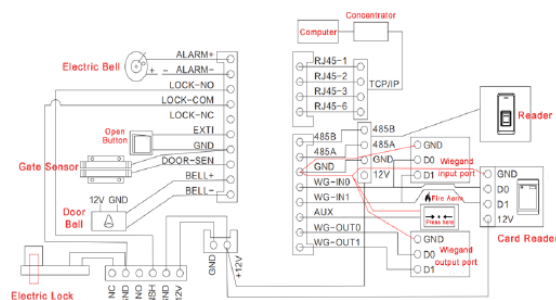
Capacity	User	10,000
	Face	6,000
	Palm	3,000
	Fingerprint	10,000
	Password	10,000
	Cards	10,000
	Logs	200,000
Operating	Power supply	DC12V / 2A
	Recognition distance	0.5-2 meters (Live detection: 0.5~1meter)
	Operating temperature	-30 ° C - + 60 ° C
	Working humidity	10%~90%
	Use environment	Indoor
Communication	Communication mode	TCP/IP, USB 2.0, U-disk, WiFi
	Access Control Output	Wiegand26/34, RS485, door magnetism, electric lock, open button, electric bell, door bell, SPK

Dimensions:



Application:

Type 1 :



Type 2 :

