

pöllö   
**Prime Series**



**8MP 45X PTZ**

**PLC-9845-AI-IR30/PM**

[www.pollo.net.au](http://www.pollo.net.au)

[info@pollo.net.au](mailto:info@pollo.net.au)



Smart Tracking



Starlight



True WDR



VCA



3D DNR



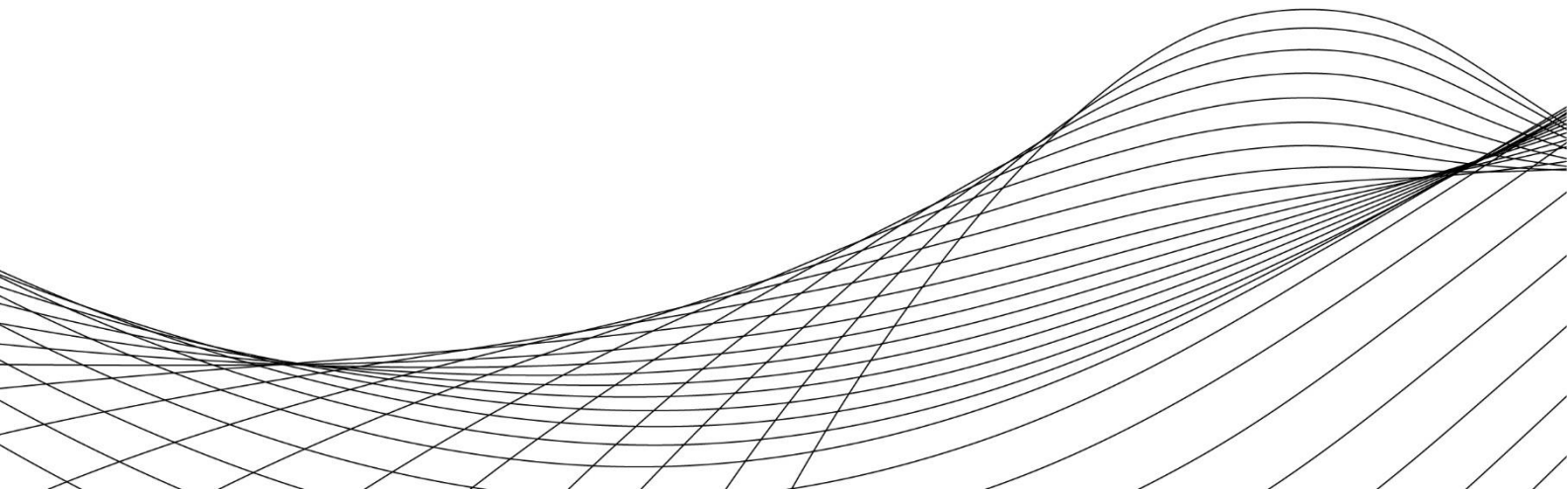
PoE++



IP67



H.265

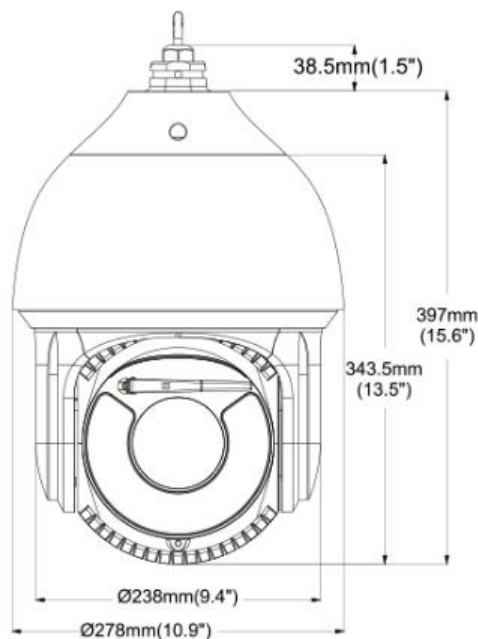


## Key Features:

- ✔ 1/1.8" back-illuminated stacked CMOS
- ✔ 45x optical zoom lens
- ✔ P-Iris, F1.2 large aperture
- ✔ Up to 8MP (4096x2160) resolution.
- ✔ Mini illumination:
  - ✔ Color: 0.005 lux @ (F1.2 AGC ON)
  - ✔ B/W: 0.001 lux@ (F1.2 AGC ON)
  - ✔ 0 Lux with IR
- ✔ 120 dB WDR, 3D DNR, Smart IR
- ✔ 8MP 45X IR 300m Network PTZ Camera
- ✔ Up to 800m IR distance
- ✔ Smart H.265/H.264 video compression
- ✔ 2.0Tops Deep-learning engine
- ✔ Smart tracking of human/vehicle
- ✔ Smart detection and perimeter precaution
- ✔ Metal Body, IP67, -40°C~65°C, -40°C cold start
- ✔ PoE++ and DC24V /AC24V



## Dimensions:



## Specifications:

<b>Model</b>	<b>PLC-9845-AI-IR30/PM</b>
<b>Image sensor</b>	1/1.8" back-illuminated progressive scan CMOS
<b>Mini. Illumination</b>	Color : 0.005Lux @ (F1.2, AGC ON) ; B/W : 0.001 Lux @ (F1.2, AGC ON); 0Lux with IR
<b>Image setting</b>	Flip, Mirror, Saturation, Brightness, Contrast, Sharpness, AGC, and AWB adjusted by client software/browser
<b>Shutter Speed</b>	1/1 s – 1/100,000 s
<b>White Balance</b>	Auto/Manual/Indoor/Outdoor
<b>Gain</b>	Auto/Manual
<b>Day &amp; Night</b>	IR Cut filter
<b>Digital Zoom</b>	16x
<b>Privacy Mask</b>	24 Programmable privacy masks
<b>SNR</b>	≥55dB
<b>3D DNR</b>	Auto/Manual
<b>Exposure Enhancement</b>	BLC, HLC, 120dB WDR, Gyro-based Image stabilizer
<b>Picture overlay</b>	Logo picture could be overlaid on video, JPG format
<b>Focus length</b>	f = 4.0 ~ 180 mm lens, 45x optical
<b>Zoom Speed</b>	Approx. 4.8s (optical zoom, wide-tele)
<b>Field of View</b>	Horizontal:59° to 2°(wide-tele); Vertical: 34° to 1.1°(wide-tele); Diagonal: 67° to 2.2°(wide-tele)
<b>Working distance</b>	wide: 1.5m ~ INF; tele: 1.5m ~ INF
<b>Aperture Range</b>	F1.2 ~ F4.5 (wide-tele), P-Iris, 210 steps
<b>Pan Range</b>	360°endless
<b>Pan speed</b>	Configurable, from 0.1~180°/s; Pre-set speed: 180°/s
<b>Tilt Range</b>	From -20° to 180° (auto-flip at 90°)
<b>Tilt Speed</b>	Configurable, from 0.1~ 150°/s, Pre-set speed: 150°/s
<b>Proportional Zoom</b>	Yes
<b>Pre-set</b>	300
<b>Cruise</b>	8 cruises, up to 16 pre-sets for each cruise
<b>Trace</b>	4 traces, record time over 3 minutes for each trace
<b>Power off memory</b>	Support
<b>Action mode</b>	Pre-set/Cruise/Trace/Auto Scan/Random Scan
<b>3D Positioning</b>	Support
<b>PTZ Position Display</b>	Support
<b>Schedule Task</b>	Pre-set/Cruise/Trace/Random Scan/Boundary Scanning /Dome reboot
<b>IR Distance</b>	300m distance
<b>Smart IR</b>	Yes
<b>Max Resolution</b>	4096× 2160
<b>Main stream</b>	4096× 2160, 3840× 2160, 2560× 1440, 2048× 1536, 1920× 1080,1280× 720(25/30fps)
<b>Sub stream</b>	25fps (704 × 576, 640 × 480, 352 × 288) ; 30fps (704 × 480, 640 × 480, 352 × 240)

<b>Third Stream</b>	25fps (1920 × 1080, 1280 × 960, 1280 × 720, 704 × 576, 640 × 480, 352 × 288) 30fps (1920 × 1080, 1280 × 960, 1280 × 720, 704 × 480, 640 × 480, 352 × 240)
<b>SVC</b>	Yes
<b>Video compression</b>	H.265+/H.265/H.264/MJPEG
<b>Audio compression</b>	G.711 A/U
<b>Protocols</b>	HTTP, HTTPS, IPv4/IPv6, 802.1x, QoS, FTP, SMTP, UPnP, SNMP, DNS, DDNS, NTP, RTSP, RTCP, RTP, TCP/IP, UDP, IGMP, ICMP, DHCP, PPPoE, RTCP, RTP, TCP/IP, UDP, IGMP, ICMP, DHCP, PPPoE
<b>Simultaneous live view</b>	Up to 6 channels
<b>User / Host</b>	Up to 16 users, 3 levels: Administrator, Advanced User and Normal User
<b>Security Measures</b>	User authentication (ID and PW), Host authentication (MAC address); HTTPS encryption, IEEE802.1x port-based network access control; IP address filtering
<b>Basic event</b>	Motion detection, video tampering alarm, exception (network disconnected, IP address conflict, SD full, SD error)
<b>Face detection</b>	Support detecting up to 30 faces at the same time. Support detecting, tracking, capturing, grading, selecting of face in motion, and output the best face picture of the face.
<b>Road Traffic</b>	Support vehicle detection (license plate number, vehicle model, and vehicle colour Recognition)
<b>Smart Detection</b>	Intrusion detection, Line crossing detection, Region entrance detection, Region exiting detection, Object removal detection, (object left/missing), Scene change detection, Support alarm triggering by human or vehicle, filtering flag/animal.
<b>Smart Tracking</b>	Auto Tracking (human or vehicle); Click and Tracking on human/vehicle
<b>Alarm Interface</b>	7CH alarm input; 2CH alarm output
<b>Audio Interface</b>	1CH audio input, 2 to 2.4v[p-p] 1KΩ ±10%; 1CH audio output (line out), impedance: 600Ω
<b>Alarm Linkage</b>	Alarm actions, such as Preset, Cruise, Trace, Memory Card Video Record, Trigger Recording, Notify Surveillance Center, Upload to FTP/Memory Card, Send Email, etc.
<b>Network Interface</b>	1 RJ45 10M/100M Adaptive Ethernet (PoE 802.3.bt,class 7)
<b>CVBS</b>	Yes, 1 BNC connector
<b>RS 485</b>	Pelco-D / P protocol, custom protocols available
<b>Storage</b>	One Memory card slot, support microSD/SDHC/SDXC, up to 256G
<b>API</b>	ONVIF, support POLLO SDK and third-party management platform
<b>Client</b>	PVMS Plus and the third-party client
<b>Web Browser</b>	IE (8-11)
<b>Power</b>	AC24V, DC24V, PoE++ (802.3.bt, class 7), (Max 50W, include IR on, Heater on, Fan working)
<b>Working condition</b>	-40°C ~ 65°C (-40°F ~ 149°F),90%RH less (non-condensing), Cold start at - 40°C
<b>Storage condition</b>	-40°C ~ 70°C; ≤95% RH
<b>Protection</b>	IP67, IK10,6000V Lightning Protection, Surge Protection and Voltage Transient Protection
<b>Material</b>	Aluminium Alloy
<b>Dimensions</b>	Φ 278mm x H 435mm ( Φ 10.94" x 17.12")
<b>Weight</b>	Approx. 9 Kg (19.84 lb.)
<b>Certification</b>	IP67, IK10, ROHS, CE, FC