

pöllö 
Prime Series

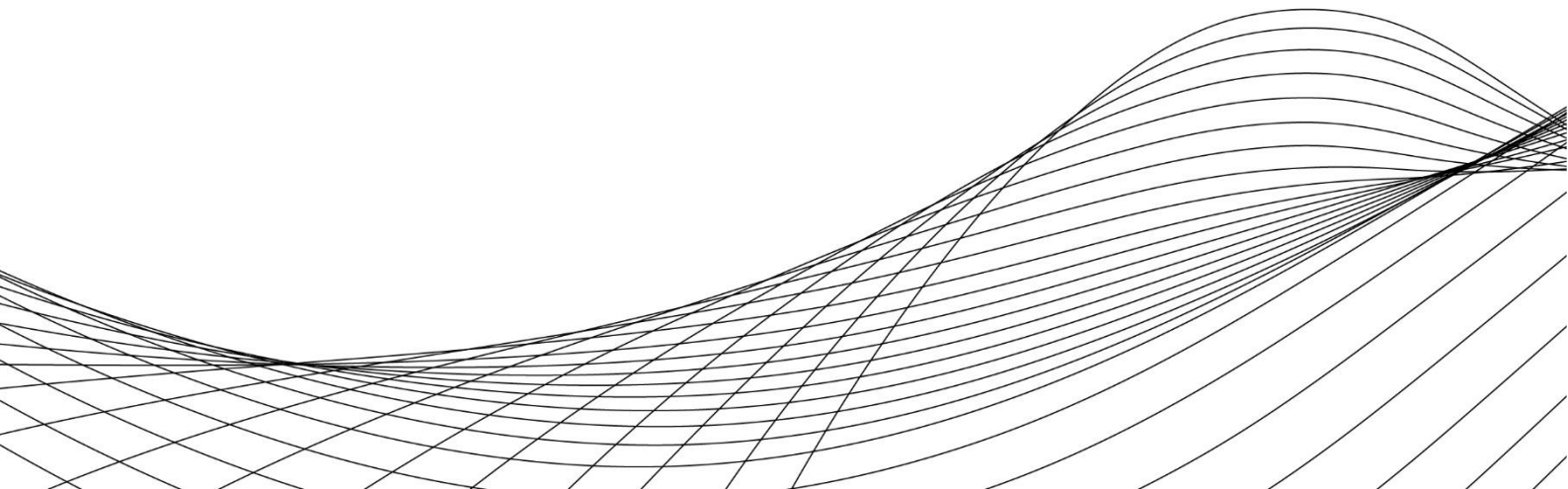
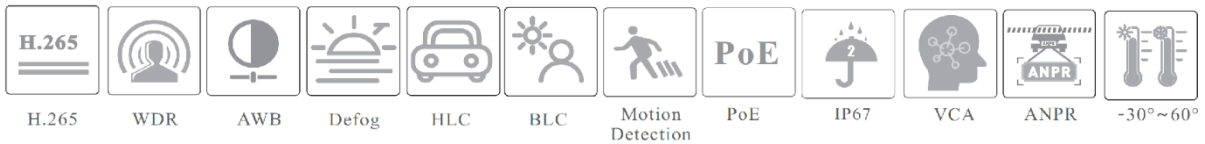


4MP IP LPR Camera

PLC-424M-LPR-IR10/PM

www.pollo.net.au

info@pollo.net.au

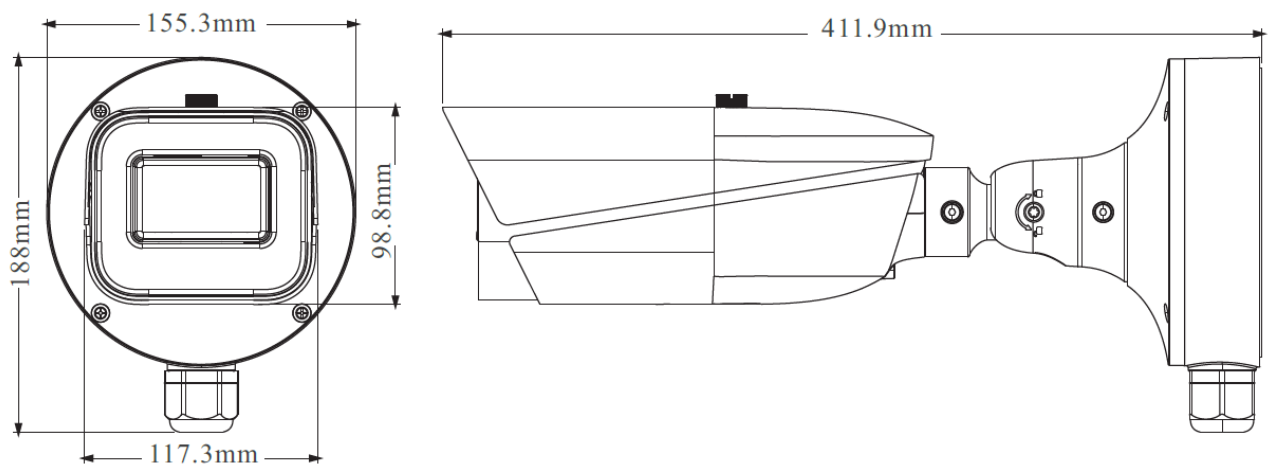




Key Features:

- ✔ Smart H.265/H.265+/H.265/Smart H.264/H.264+/H.264/MJPEG coding
- ✔ Max. resolution: 2592 × 1520
- ✔ Starlight
- ✔ ICR auto switch, true day / night vision
- ✔ Up to 100m IR night view distance; motorized zoom lens
- ✔ 3D DNR, true WDR, HLC, BLC, Defog, NIR, Smart IR and ROI coding
- ✔ Support image distortion correction
- ✔ Built-in micro-SD card slot; up to 256GB
- ✔ AC24V/DC12V/PoE power supply
- ✔ IP 67 & IK10
- ✔ Support three streams
- ✔ Face Recognition & License Plate Detection

Dimensions:





Specifications:

Model	PLC-424M-LPR-IR10/PM
Image Sensor	1 / 1.79 "CMOS
Image Size	2592 × 1520
Electronic Shutter	1/3 s ~ 1 / 10000 s
Iris Type	P Iris
Min. Illumination	0.007 lux@F1.4, AGC ON; 0 lux with IR
Lens	8~32mm@F1.7, motorized
Field of View	H:114.2°~47.94°; V: 59.36°~27.07°; D: 141.1°~55.09° H: 40.6°~14°; V: 22.6°~9°; D: 47.3°~16°
Lens Mount	Integrated
Day & Night	ICR
Wide Dynamic Range	120dB
BLC	Yes
HLC	Yes
Defog	Yes
Digital NR	3D DNR
Angle Adjustment	Pan: 0°~360°; Tilt:0°~90°; Rotation: 0°~360°
Video Compression	Main stream: Smart H.265 / H.265+ / H.265 / Smart H.264 / H.264+ / H.264 Sub stream: H.265+ / H.265 / H.264+ / H.264 / MJPEG Third stream: H.265+ / H.265 / H.264+ / H.264 / MJPEG
H.264 Compression Standard	Baseline Profile/Main Profile/High Profile
Resolution	4MP (2592 × 1520), 2K (2560 × 1440), 3MP (2304 × 1296),1080P (1920 × 1080), 720P (1280 × 720), D1, CIF, 480 × 240
Main Stream	4MP/2K/3MP/1080P / 720P (60Hz: 1 ~ 30fps; 50Hz: 1~25fps) HFR mode: 1080P / 720P (60Hz: 1 ~ 60fps; 50Hz: 1~50fps)
Sub Stream	720P/D1/CIF/480 × 240 (60Hz: 1 ~ 30fps; 50Hz: 1~25fps)
Third Stream	D1/CIF/480 × 240 (60Hz: 1 ~ 30fps; 50Hz: 1~25fps)
Bit Rate	64 Kbps ~ 8 Mbps
Bit Rate Type	VBR / CBR
Audio Compression	G711A / U
Image Settings	ROI, Saturation, Brightness, Hue, Contrast, Wide Dynamic, Sharpness, NR, Image Flip, Image Mirror, etc. adjustable through client software or web browser
ROI	8 ROI; Each ROI to be configured separately
Network	RJ 45
Video Output	CVBS output (BNC × 1, 1Vpp, 75 Ω)
Audio	1CH audio input; 1CH audio output
Storage	Built-in micro-SD card slot; up to 256GB
Reset	Yes
Alarm	1CH alarm input; 1CH alarm output
RS 485	Yes

DC12V Output	Yes (Max. output current: 200mA)
Perimeter Protection	Line crossing, region entrance/exiting/intrusion (human/motor vehicle/ non-motor vehicle classification)
Statistics	Target counting by line/ area, heat map
Exception Detection	Scene change, video blur and video cast detection
Face Recognition	Face detection, face capture, face match
License Plate Detection	Yes
Other Events	Crowd density detection, abandoned/missing object detection
Client Monitoring	Web Browser/PVMS Plus/NVR/mobile APP
Web Browser	IE (plug-in required)/Google Chrome/Edge/Firefox/Safari
Online Connection	Support simultaneous monitoring for up to 10 users; Support multi-stream real time transmission
Network Protocol	UDP, IPv4, IPv6, DHCP, NTP, RTSP, RTP, RTCP, RTMP, PPPoE, DDNS, SMTP, FTP, SNMP, HTTP, 802.1x, UPnP, HTTPs, QoS
Interface Protocol	ONVIF
Storage	Network remote storage; micro-SD card storage
Smart Alarm	Motion detection, sensor detection, SD card error, SD card full, IP address conflict, cable disconnection
General Function	Watermark, IP address filtering, video mask, heartbeat, password protection, image distortion correction, corridor pattern
PoE	Yes, IEEE802.3af
IR Distance	70~ 100 m
Ingress Protection	IP67 & IK10
Power Supply	AC24V/DC12V/PoE
Power Consumption	< 14W
Operating Environment	- 50 °C ~ 60 °C (-58°F~140°F); Humidity: less than 95 % (non-condensing)
Storage Environment	- 50 °C ~ 65 °C (-58°F~149°F); Humidity: less than 95 % (non-condensing)
Dimensions (mm)	411.9 × 155.3 ×188
Weight (net)	Approx. 2.762KG
Installation	Ceiling mounting; Wall mounting
Certificate	CE, FCC
Environmental Protection	Complies with Directive EU RoHS, WEEE (2012/19/EU), directive 94/62/EC and REACH(EC1907/2006)