

pöllö

Prime Series



08 CHANNEL NVR

PLC-5808H1/PM-4K

www.pollo.net.au

info@pollo.net.au



4K Output



8MP



DDNS



Network



PTZ



Audio



MIC



Mobile



CMS



USB



Mouse



E-mail



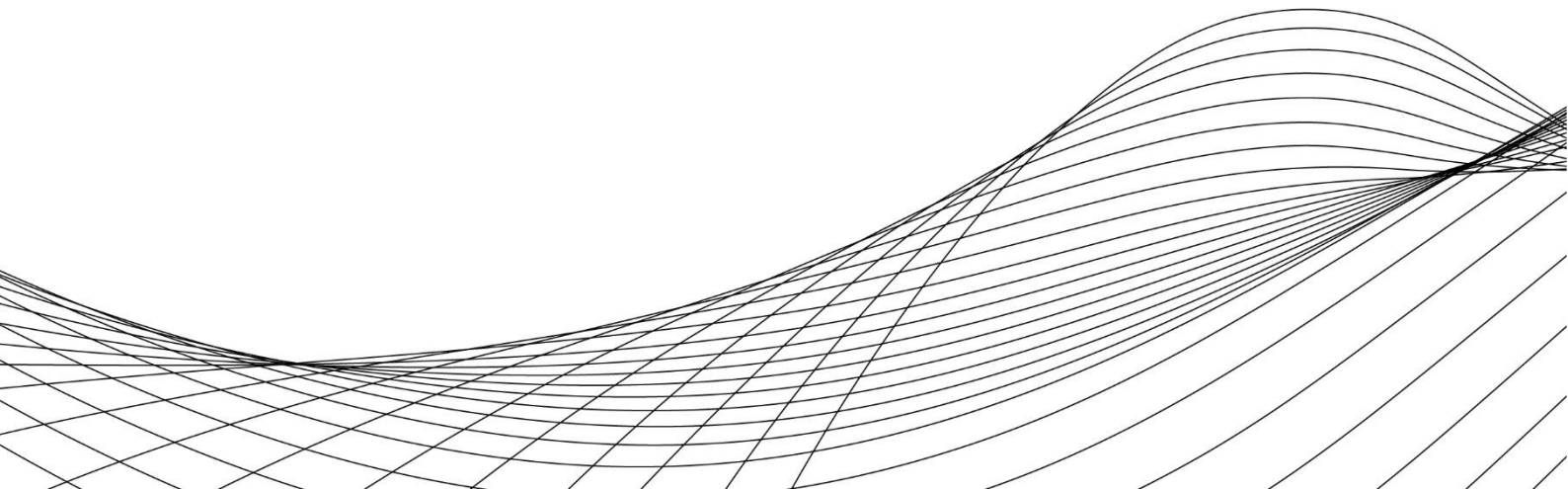
STD



FR



VCA



Overview:

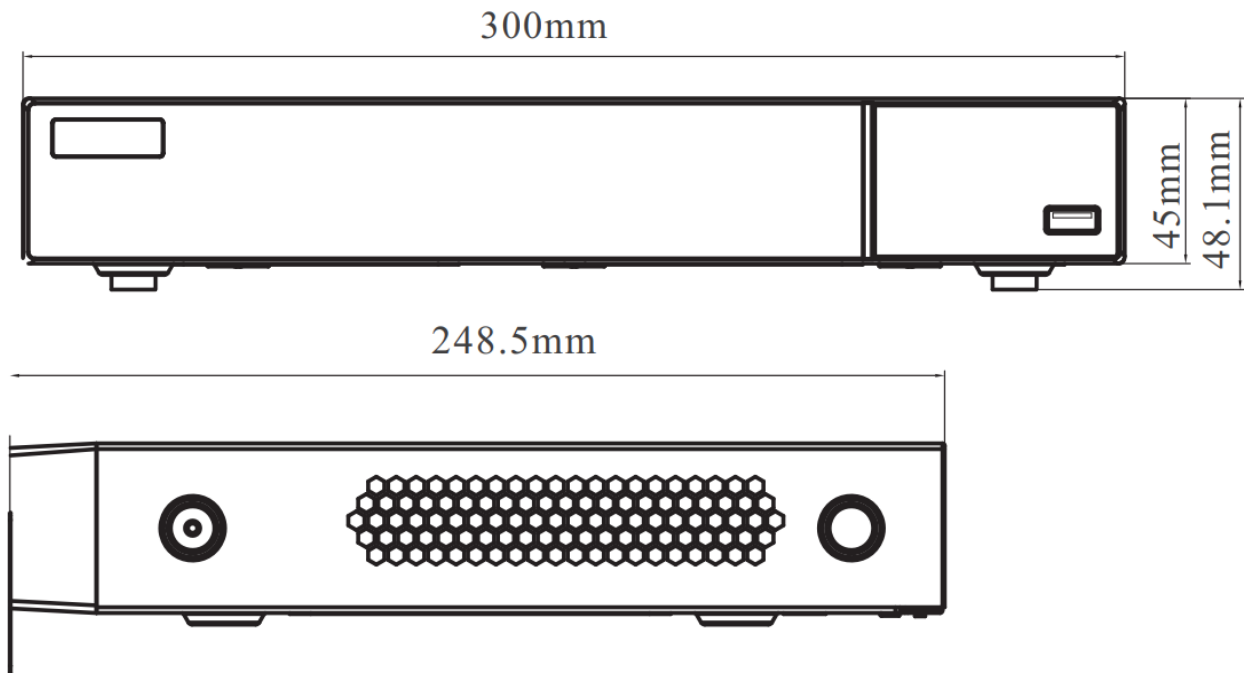


PLC-5808H1/PM-4K supports 8 CH 8MP / 6MP / 5MP / 4MP / 3MP / 1080P / 1280 x 1024 / 960P / 720P high-definition IP input, which adopts the most advanced SOC technique to ensure high-definition recording in each channel and realize outstanding robustness of the system. **PLC-5808H1/PM-4K** supports 8 CH IP input, simultaneous 8CH playback, and 4K high-definition display. The product can meet different security requirements of home, financial, commerce, enterprise, transportation and government, etc.

Key Features:

- ✔ Supports 8 CH 8MP/ 6MP/5MP/4MP/3MP/1080P/1280×1024/960P/720P/960H/D1/CIF IP input
- ✔ Standard H.265 and H.264 high profile compression format to get high-quality video at much lower bit rate
- ✔ Intuitive and user-friendly Graphic User Interface (GUI), Windows style operation by mouse
- ✔ Multi-mode recording: manual / timed / motion / sensor / POS / AI recording
- ✔ Playback: 8 CH simultaneous playback
- ✔ Search: time slice, time, event, tag, smart and target database search
- ✔ Supports face detection and comparison
- ✔ Supports multiple VCA (Video Content Analytics) events, such as object abandoned/missing, region intrusion, tripwire, video tampering, etc.
- ✔ Supports POS information overlay on live view and playback
- ✔ Express and flexible backup via USB, network and so on
- ✔ Pentaplex: preview, record, playback, backup and remote access
- ✔ DHCP, DDNS, PPPoE network protocol
- ✔ Remote control via Web Client or CMS: preview, playback, backup, PTZ and configuration
- ✔ Dual stream technology for local storage with high definition, remote network transmission and remote surveillance with mobile device
- ✔ Multi-user online simultaneously
- ✔ Authorization management, log view and device status view
- ✔ 4K HD output, true high-resolution display
- ✔ Supports PTZ pre-set and auto cruise, up to 255 pre-sets and 8 cruises
- ✔ Supports NAT function and QR Code scanning by mobile phones
- ✔ Powerful mobile surveillance by smart phones with iOS and Android OS

Dimensions:



Specifications:

Model	PLC-5808H1/PM-4K
OS	Embedded Linux
Network Input	8CH IPC input
Network Input Resolution	8MP/6MP/5MP/4MP/3MP/1080P/1280×1024/960P/720P/960H/D1/CIF
Output	HDMI × 1: 3840 × 2160 / 1920 × 1080 / 1280 × 1024/ 1024 × 768 VGA: 1920 × 1080 / 1280 × 1024/ 1024 × 768
Compression	Standard H.265 / H.264
Network Input	8 CH IPC audio input
2-way Audio	RCA × 1
Local Output	RCA × 1
Compression	G.711(U/A)
Record Stream	Dual stream recording
Resolution	8MP/6MP/5MP/4MP/3MP/1080P/1280×1024/960P/720P/960H/D1/CIF
Frame Rate	NTSC:30fps; PAL:25fps
Simultaneous Playback	Max. 8 CH
Search	Time slice / time / event / tag search
Smart Search	Highlighted color to display the camera record in a certain period of time, different colors refers to different record events

Function	Play, pause, FF, FB, digital zoom, etc.
Live View/ Playback	1CH 8MP
	4CH 1080P
Mode	Manual, sensor, motion, exception, smart events
Input	Support IPC alarm input
Output	Support IPC alarm output
Triggering	Record, snap, preset, e-mail, etc.
Interface	RJ 45 1000Mbps × 1
Protocol	TCP / IP, PPPoE, DHCP, DNS, DDNS, UPnP, NTP, SMTP, HTTP, HTTPS, 802.1x
Incoming/ Outgoing Bandwidth	80/80 (Mbps)
OS	iOS, Android
HDD Interface	SATA3.0 × 1, max 8T
Local Backup	U disk, USB mobile HDD
Network Backup	Yes
USB	USB 2.0 × 2
Remote Controller	Optional
Power Supply	DC 12V/1.5A
Consumption	≤ 10W (without HDD)
Dimensions (mm)	300 × 249 × 45 (W × D × H)
Working Environment	-10 ~ 50 °C, 10% ~ 90% humidity